
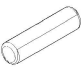
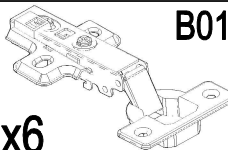




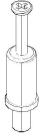

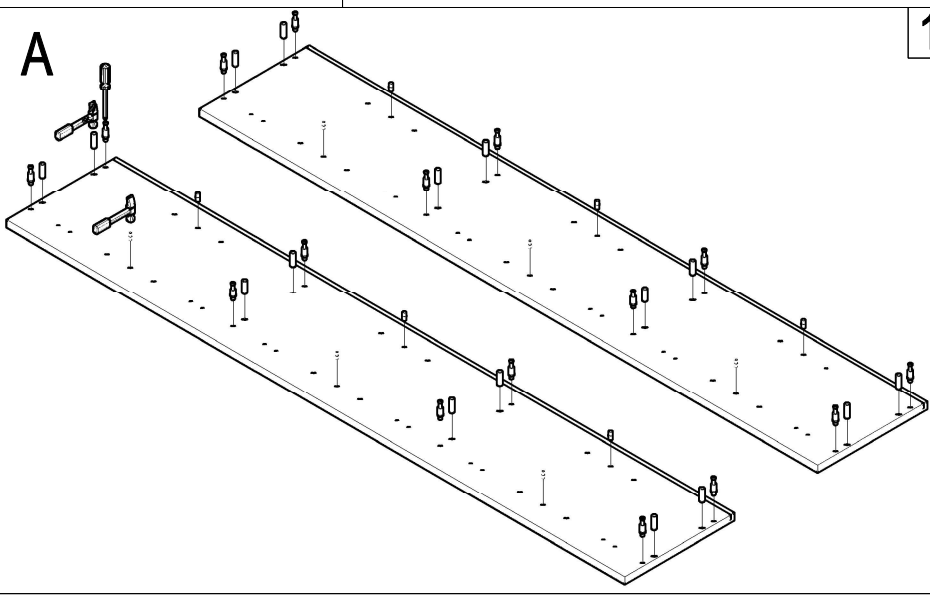
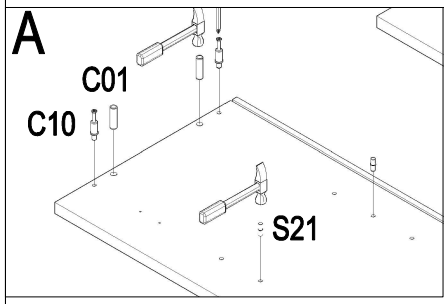
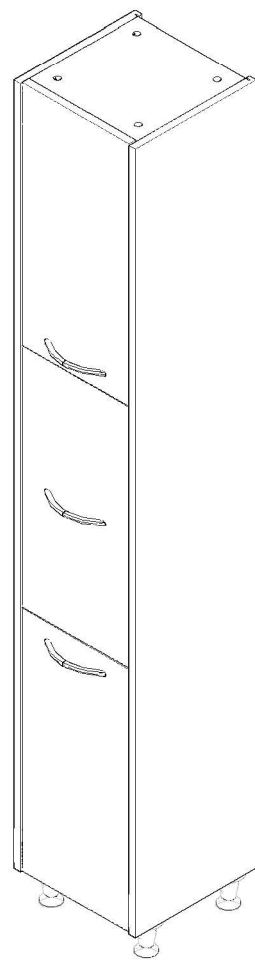
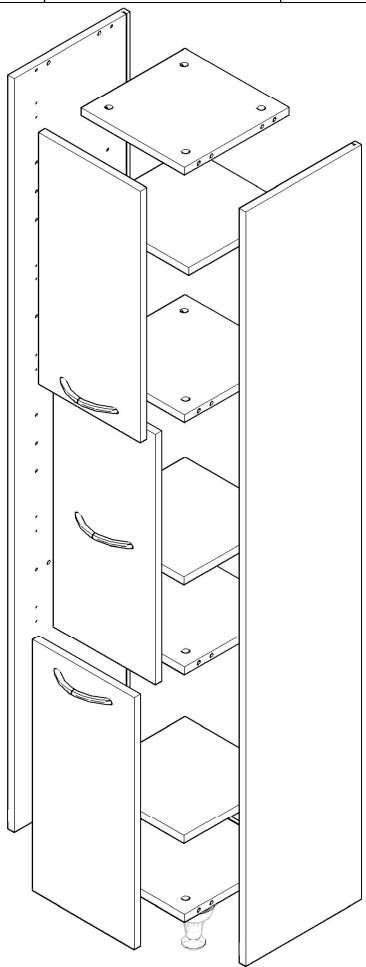


NR.91

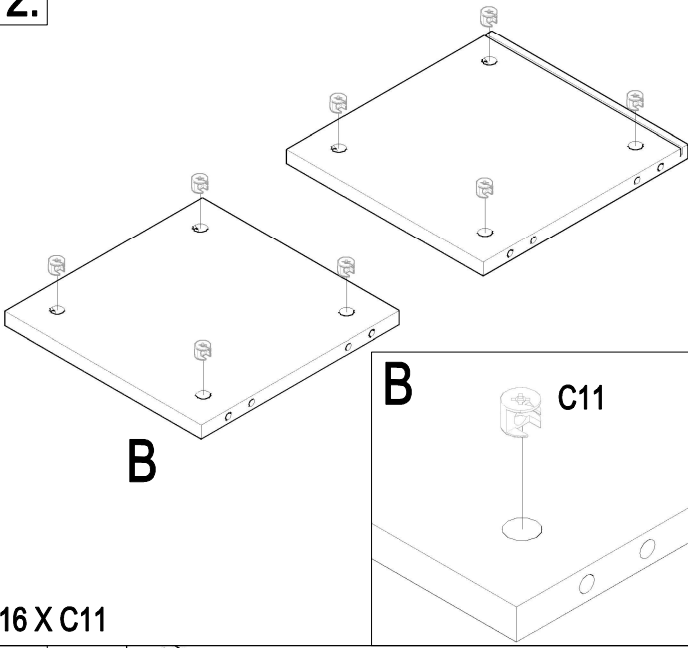
<p>3.5x16</p>  <p>S01 x49</p>	<p>C01</p>  <p>X16</p>	<p>B01</p>  <p>X6</p>	<p>M4X22</p>  <p>S11 x6</p>	<p>S21</p>  <p>x12</p>	<p>P01</p>  <p>x4</p>
<p>M01</p>  <p>x3</p>	<p>C10</p>  <p>x16</p>	<p>C11</p>  <p>x16</p>			



12 X S21
16 X C10
16 X C01

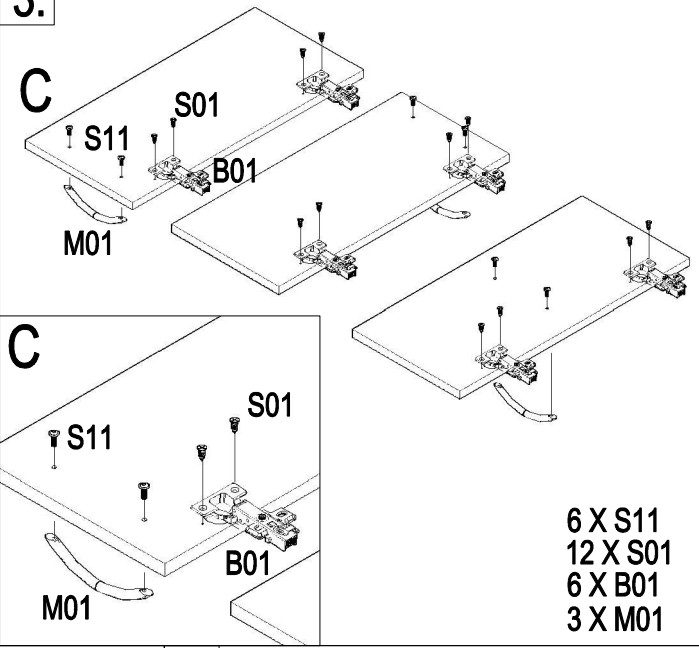
1.

2.



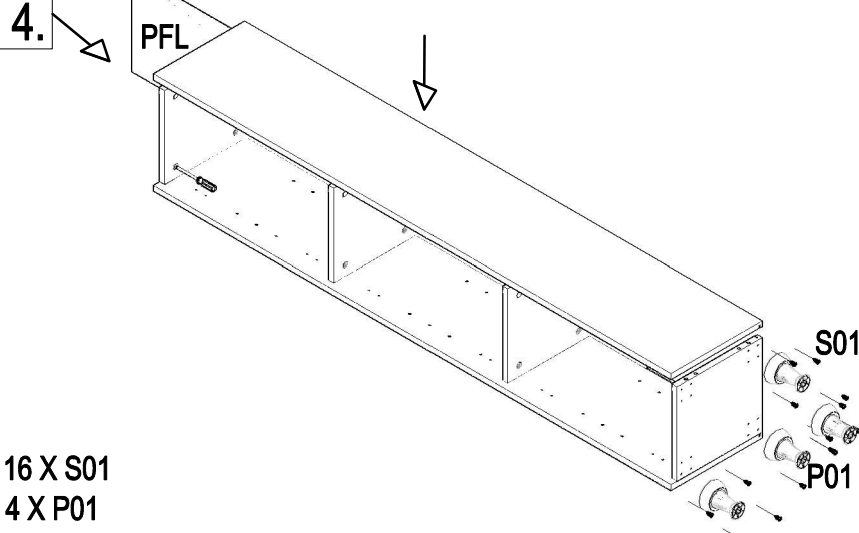
16 X C11

3.



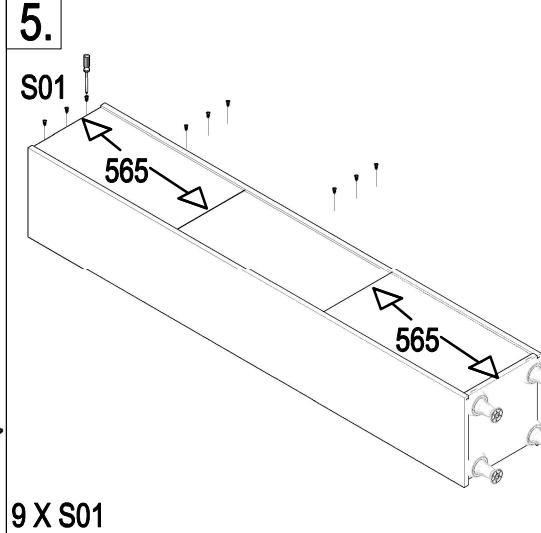
6 X S11
 12 X S01
 6 X B01
 3 X M01

4.



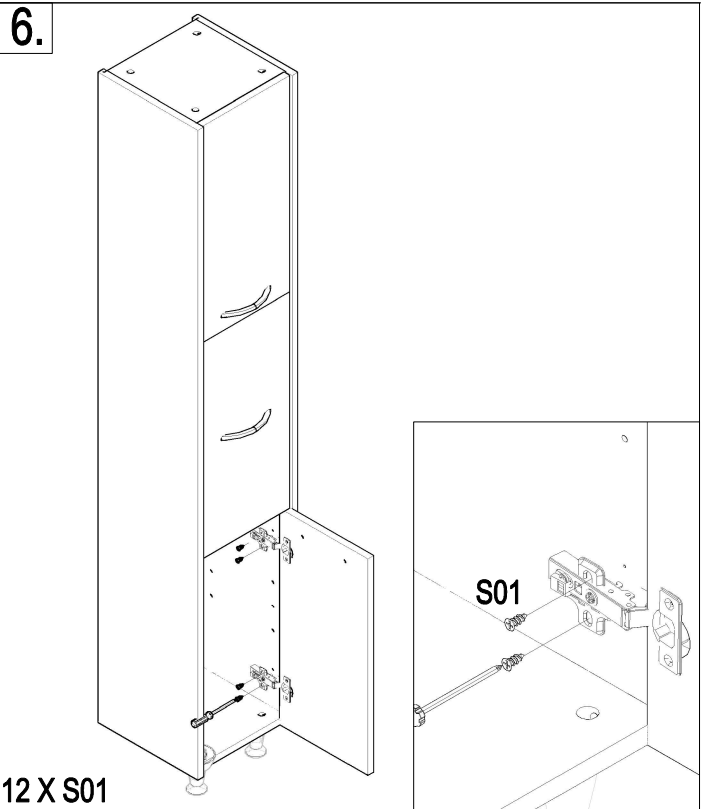
16 X S01
 4 X P01

5.



9 X S01

6.



12 X S01